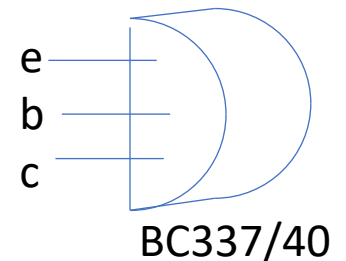
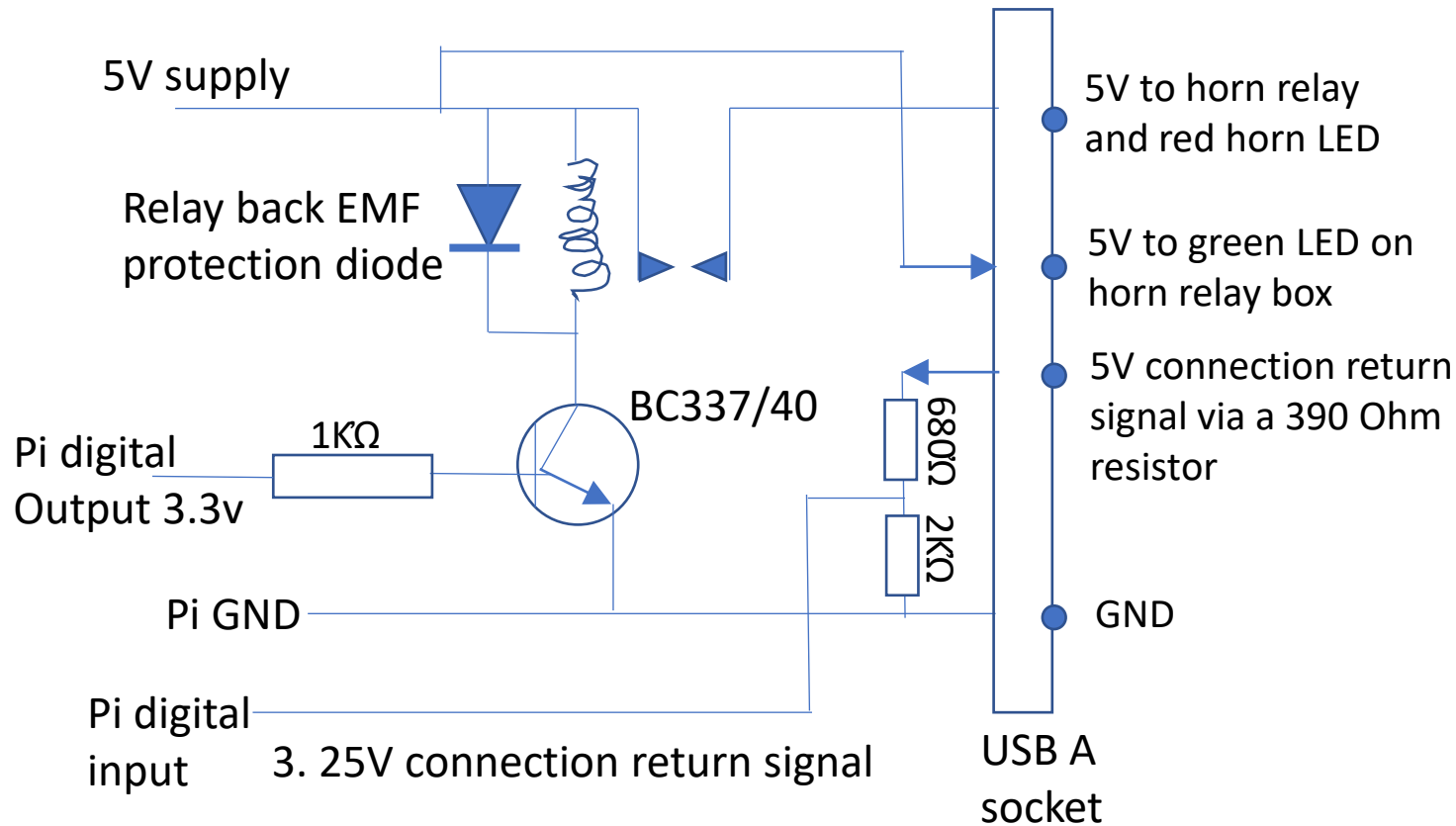


Raspberry Pi boat start timer 2020

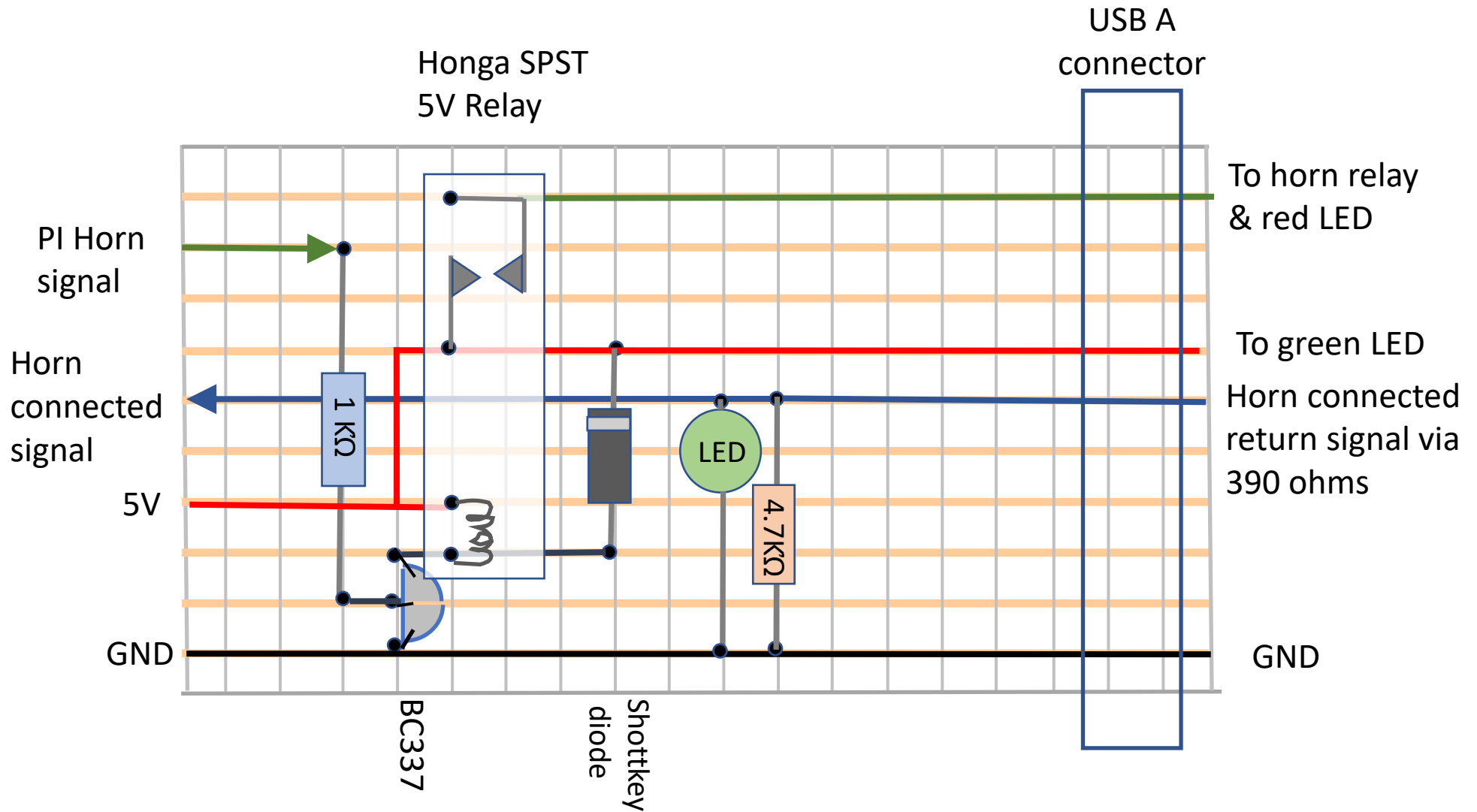
Horn connection circuit

**Hongfa HF49FD 5A Miniature PCB Mount
Power Relays SPST coil resistance 208
ohms current 25mA**

Relay Wiring Diagram
(Bottom view)



Boat start horn relay veroboard circuit



Circuit at horn relay box

